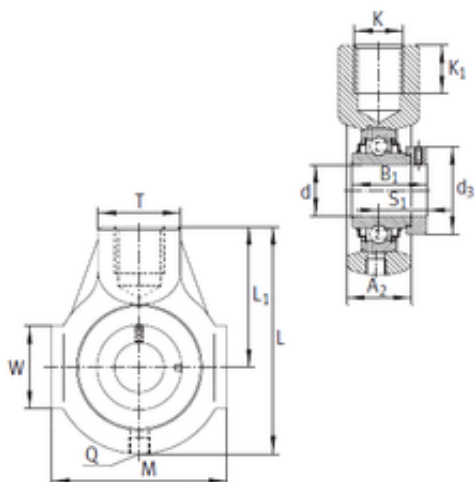




Koyo NRB BEARING MANUFACTURING LLC

INA RHE30 Take-Up Ball Bearing

Bearing No. RHE30



RHE30 Bearing 2D drawings and 3D CAD models

Bore Diameter	30 mm
d	30 mm
S1	30,2 mm
K1	24 mm
Thread (Q)	Rp1/8
Thread (K)	M24
d3	44 mm
B1	48,5 mm
L	114 mm
L1	72 mm
M	85 mm
T	40 mm
W	40 mm
A2	32 mm
Weight	1,16 Kg
Basic dynamic load rating (C)	19,5 kN
Category	Mounted Units & Inserts
Inventory	0.0
Manufacturer Name	SCHAEFFLER GROUP
Minimum Buy Quantity	N/A
Weight / Kilogram	1.437
Product Group	M06110