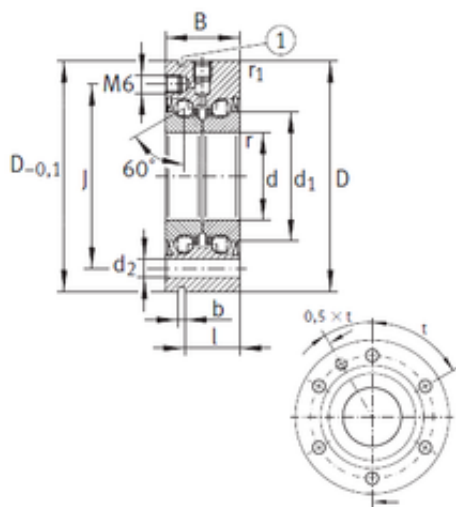




Koyo NRB BEARING MANUFACTURING LLC



25 mm x 75 mm x 28 mm INA ZKLF2575-2RS Spindle & Precision Machine Tool Angular Contact Bearings

Bearing No. ZKLF2575-2RS

Size	25x75x28 mm
Bore Diameter	25 mm
Outer Diameter	75 mm
Width	28 mm
d	25 mm
D	75 mm
B	28 mm
C	28 mm
Screw	4
l	19 mm
Angle (?)	60 °
b	3 mm
d1	40,5 mm
d2	6,8 mm
r min.	0,3 mm
r1 min.	0,6 mm
J	58 mm
Bolt (G)	M6
Weight	0,72 Kg
Basic dynamic load rating (C)	27,5 kN
Basic static load rating (C0)	55 kN

ZKLF2575-2RS Bearing 2D drawings and 3D CAD models