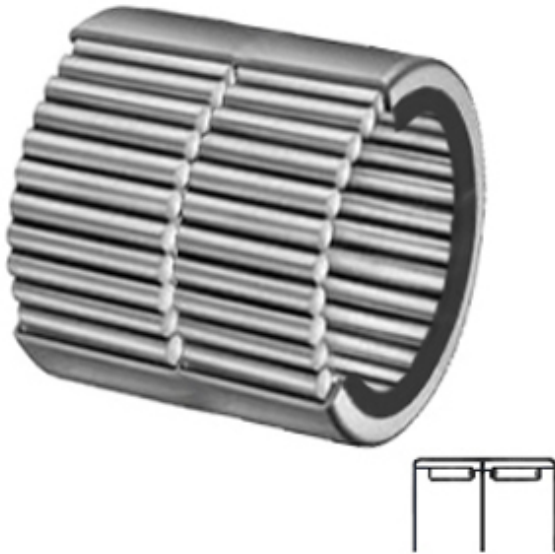




Koyo NRB BEARING MANUFACTURING LLC



1.125 Inch | 28.575 Millimeter x 1.625 Inch |
 41.275 Millimeter x 1.25 Inch | 31.75 Millimeter
 McGill GR 18 RSS Needle Roller Bearings

Bearing No. GR 18 RSS

GR 18 RSS Bearing 2D drawings and 3D CAD models

Category	Needle Non Thrust Roller Bearings
Inventory	0.0
Manufacturer Name	REGAL BELOIT
Minimum Buy Quantity	N/A
Weight	0.136
EAN	0726166061739
Product Group	B04144
Rolling Element	Needle Roller Bearing
Component	Roller Assembly with Outer Ring - No Inner Ring
Enclosure	2 Seals
Self Aligning	No
Retainer	No
Number of Rows of Rollers	Double Row
Separable	No
Closed End	No
Inch - Metric	Inch
Relubricatable	Yes
Thrust Bearing	No
Long Description	1-1/8" Bore; 1-5/8" Outside Diameter; 1-1/4" Width; Needle Roller Bearing; Roller Assembly with Outer Ring - No Inner Ring; 2 Seals Enclosure; No Self Aligning; No Retainer;



Koyo NRB BEARING MANUFACTURING LLC

	Double Row
Other Features	1 Rib Outer Ring Full Complement Heavy Duty Oil Hole
Category	Needle Non Thrust Roller Bearing
UNSPSC	31171512
Harmonized Tariff Code	8482.40.00.00
Noun	Bearing
Keyword String	Needle
Manufacturer URL	http://www.emerson-ept.com
Manufacturer Item Number	GR-18-RSS
Manufacturer Internal Number	5001850000
Weight / LBS	0.3
B	1.25 Inch 31.75 Millimeter
D	1.625 Inch 41.275 Millimeter
d	1.125 Inch 28.575 Millimeter